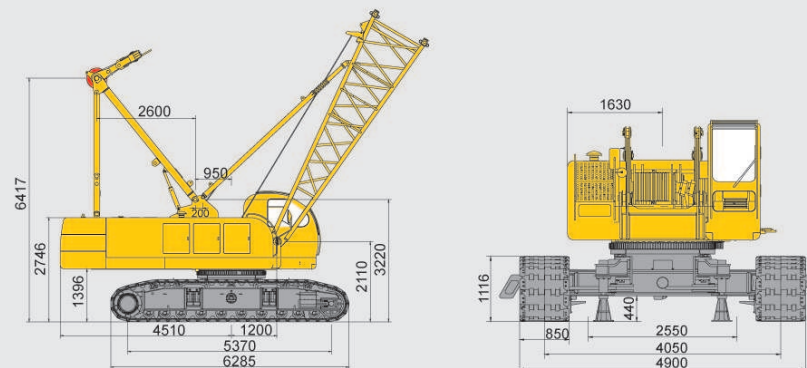


**QUY80** crawler crane is designed by Xuzhou Heavy Machinery Co., Ltd. on the base of accumulation of manufacturing experience for many years, in order to meet market demands and perfect crawler crane line. Excellent lifting capacity, 360° full slewing operation and extensible crawlers are available. Main boom length is from 13m to 58m, fix jib length is from 9m to 18m.

# QUY80



Outline Dimensions

## Main Technical Specifications

Item	Unit	Data
Max. lifting capacity	t	80
Max. load moment	kN.m	337
Boom length	m	13~58
Elevation angle	°	30~80
Main winch system	m/min	0~120
Aux. winch system	m/min	0~120
Elevating system	m/min	0~57
Grade-ability		30%
Swing speed	r/min	0~2
Max. travel speed	km/h	1.2
Mean ground pressure	MPa	0.087
Engine output	kw	200
Jib length	m	9~18
Jib erection angle	°	10/30
Max. weight of single part in transport state	t	28
Dimension of single part (main machine) in transport state (L×W×H)	m	6.5×3.3×3.5